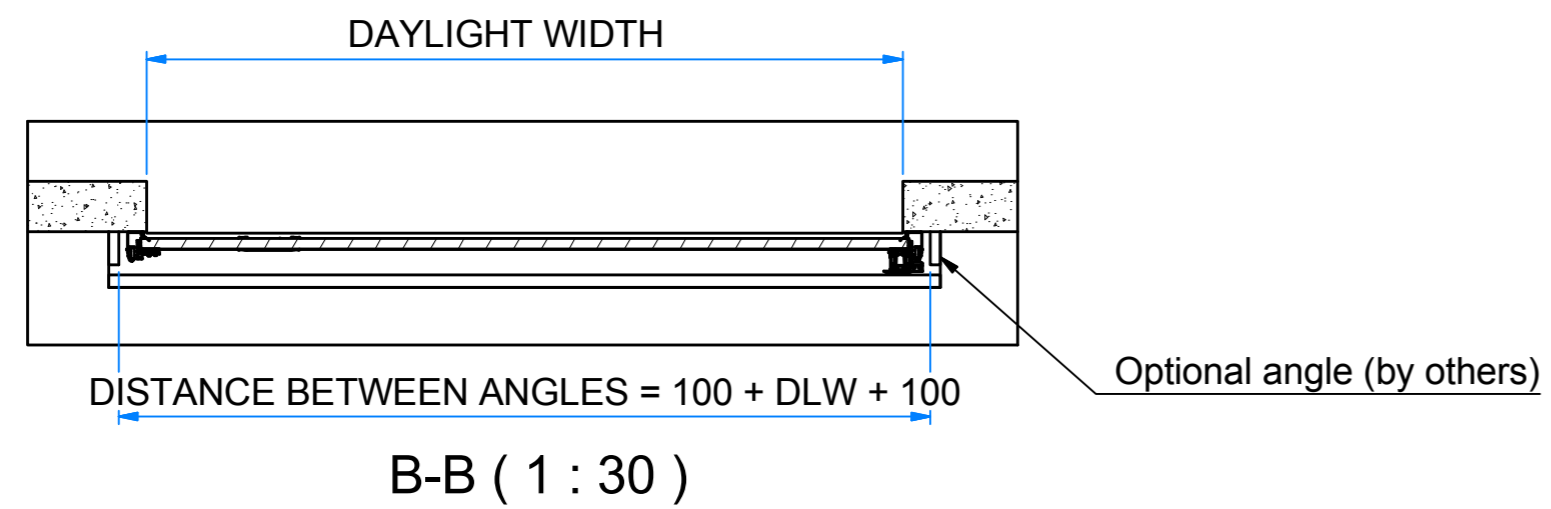


This drawing will remain our property. The drawing must not, without our knowledge, neither in original or any altered shape, be copied, or multiplied, shown or used for production. Transgression will be prosecuted according to existing law.

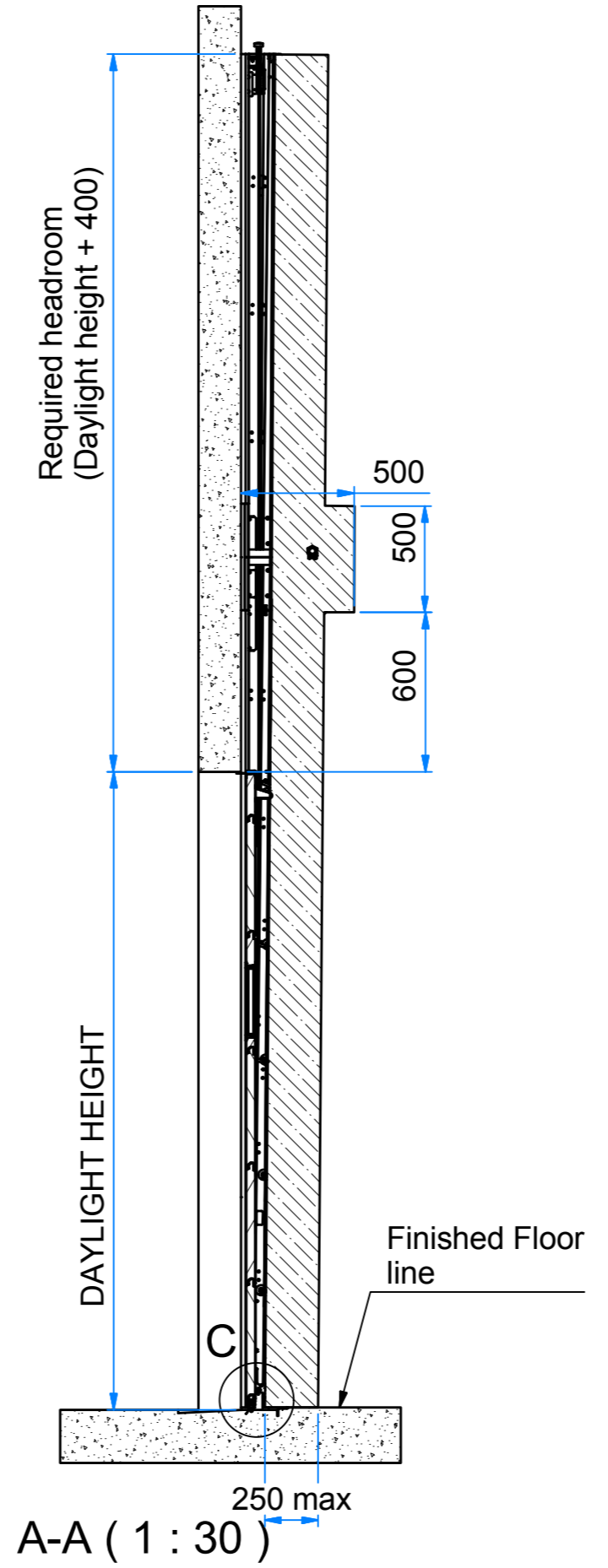
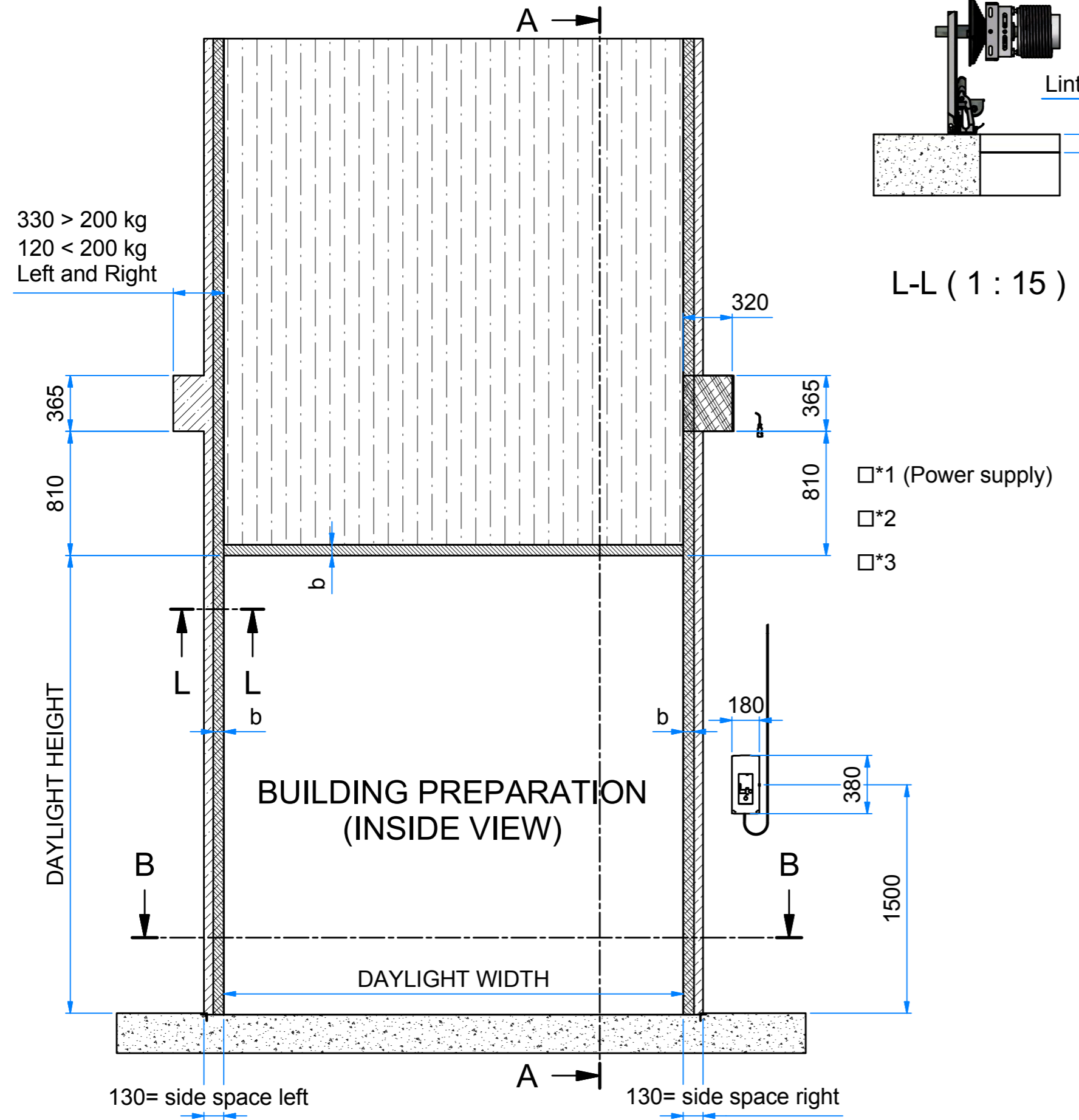


- *Power supply for operator
- Alternative 1 (CDM9)
 - Phase, 230V 10 amp (cee wall socket) to be located within 0,5 m from the operator (by others)
 - Alternative 2 (CDM9)
 - Phase, 230 V 10amp (max) isolator (by others) adjacent to the control unit
 - Alternative 3
 - 3-phase, 400 V 10 amp (max) with neutral isolator (by others) adjacent to the control panel

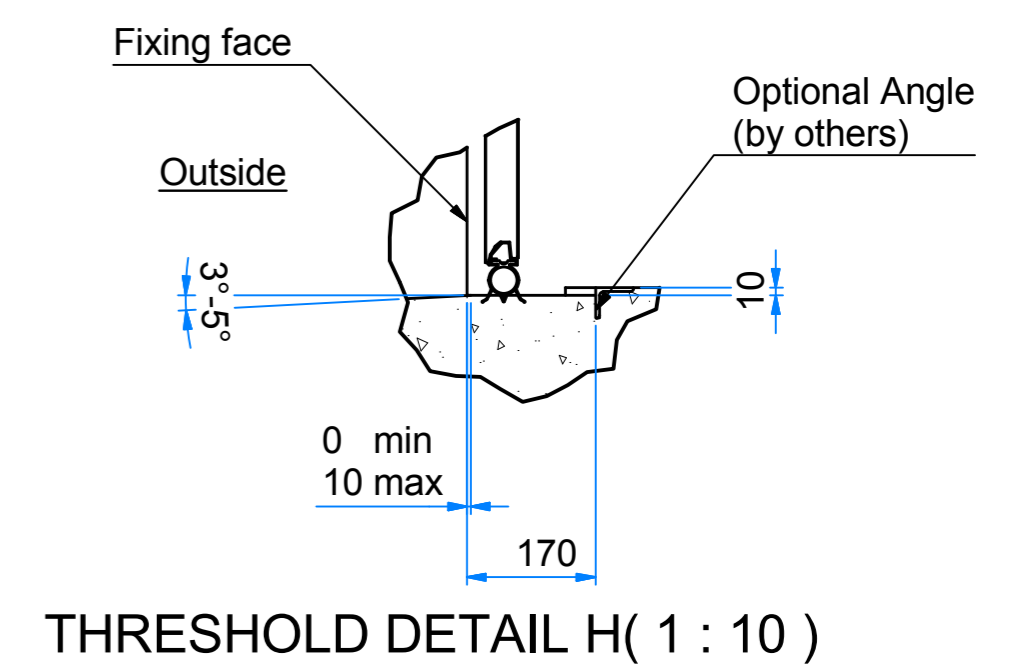
Installation frame has to be securely fixed to the building

Installation frame		
Material	Width b (minimum)	
Steel	70 mm t > 2 mm	<input type="checkbox"/>
Wood	70 mm t > 100 mm	<input type="checkbox"/>
Stone/Concrete can also be used to form the opening	t > 100 mm	<input type="checkbox"/>
	t = Material Thickness	

- Free space for the door above the opening, required for the whole marked area above the opening
- Free side space
- Needed by electrical operator
- Required space within the building from the installation frame



Note; We do not recommend a level threshold through the door opening in order to reduce possible water ingress. (not for docking doors)



Contact									
Pos	Quantity	Day light width	Day light height	Headroom	Depth	Side space left	Side space right	Track angle	Lintel Offset
								(deg)	None <input type="checkbox"/> 40 mm <input type="checkbox"/> 60 mm <input type="checkbox"/>

Quote / Order Number		Project:		Notes:			
Date							
Drawn by							
Rev.	No.	AN No.	Revision	Date	Drawn	Appr.	

Drawn TV	Appr. PD	Dimensions without specified tolerances refer to: Valid at date of latest rev.	Scale	File	Size A2
ASSA ABLOY ASSA ABLOY Entrance Systems		VLT ARCHITECT/BUILDING		Replaces	
		PREPARATION		Status	AN No.
OPERATOR RIGHT		Date		Date	
		9561		2016-01-21	
		Drawing No.		Rev.	
		K067919			