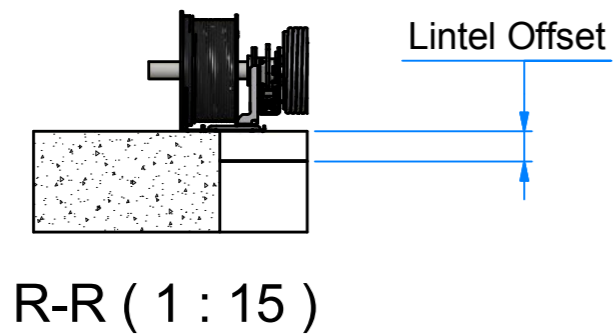
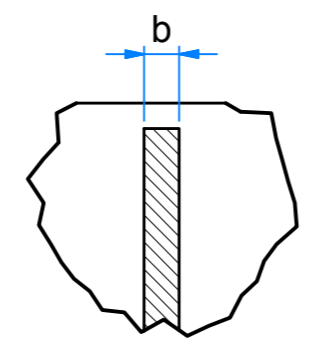


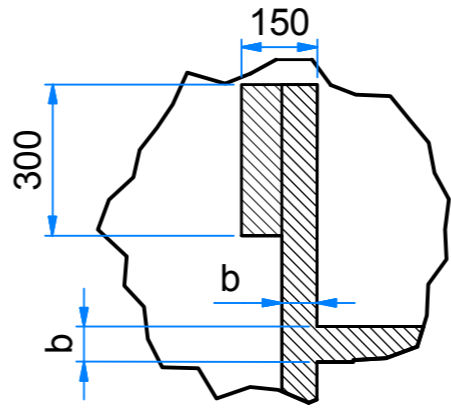
This drawing will remain our property. The drawing must not, without our knowledge, neither in original or any altered shape, be copied or multiplied, shown or used for production. Transgression will be prosecuted according to existing law.



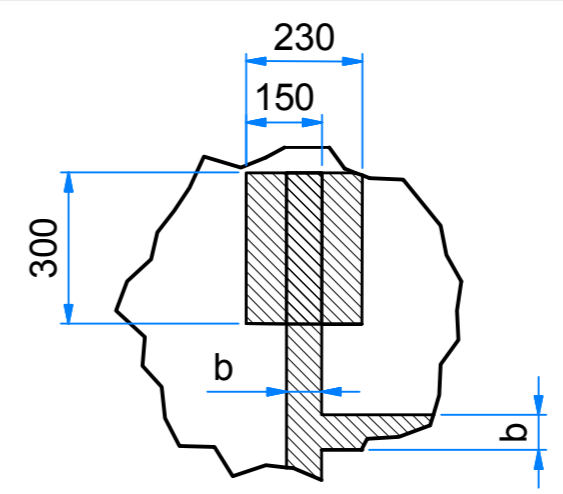
R-R ( 1 : 15 )



Needed < 200 kg  
Left and Right



Needed > 200 kg and < 500 kg  
Left and Right  
(for outer support Bearing)

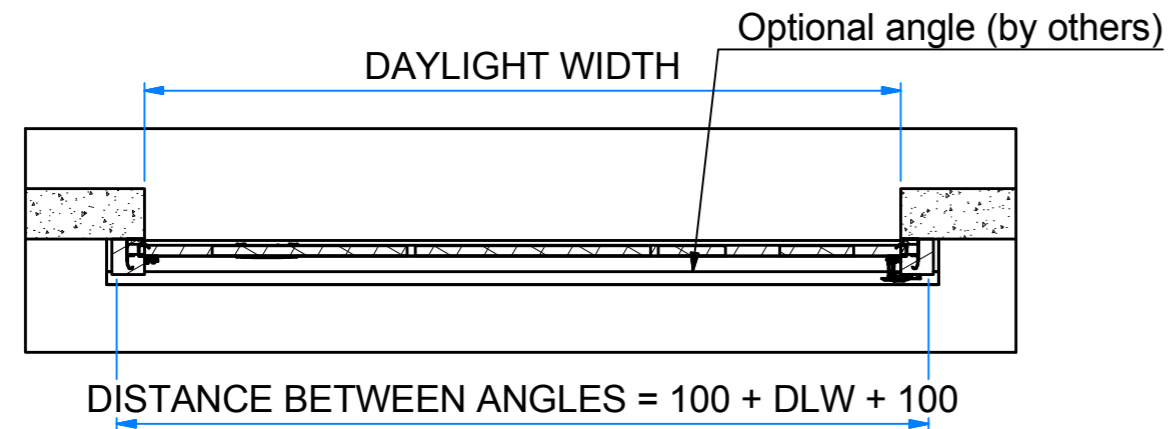


Needed > 500 kg  
Left and Right

Installation frame has to be securely fixed to the building

Installation frame		
Material	Width b (minimum)	
Steel	70 mm t > 2 mm	<input type="checkbox"/>
Wood	70 mm t > 100 mm	<input type="checkbox"/>
Stone/Concrete can also be used to form the opening	t > 100 mm	<input type="checkbox"/>
	t = Material Thickness	

- Free space for the door above the opening, required for the whole marked area above the opening
- Free side space
- Only needed by electrical operator
- Required space within the building from the installation frame



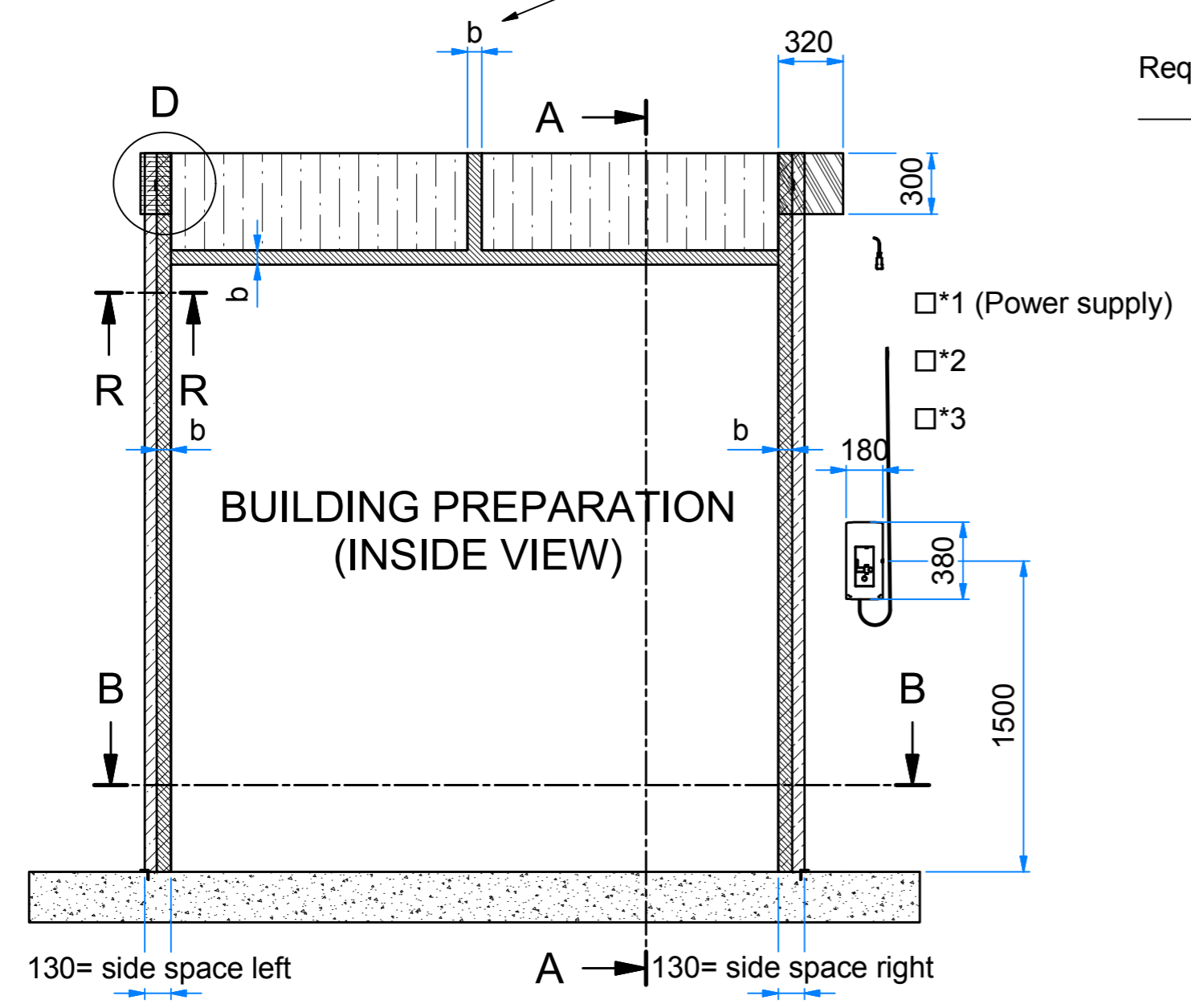
DISTANCE BETWEEN ANGLES = 100 + DLW + 100

D ( 1 : 15 )

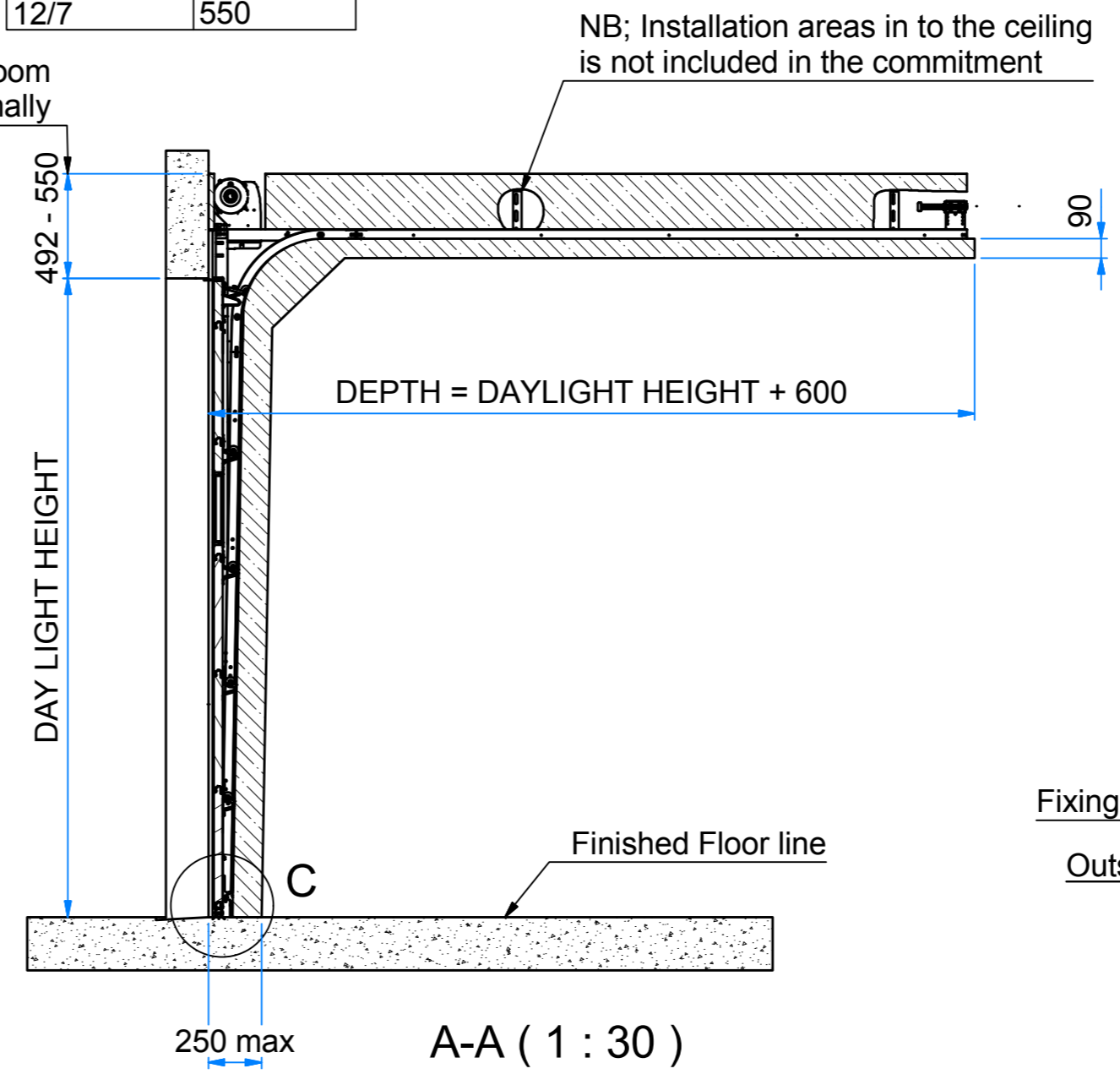
DRUMTYPE	H
17/3	492
10/5	492
7/5	550
7/7	550
12/7	550

B-B ( 1 : 30 )

Needed for Center Support  
Center support is always required when daylight width > 3000 mm



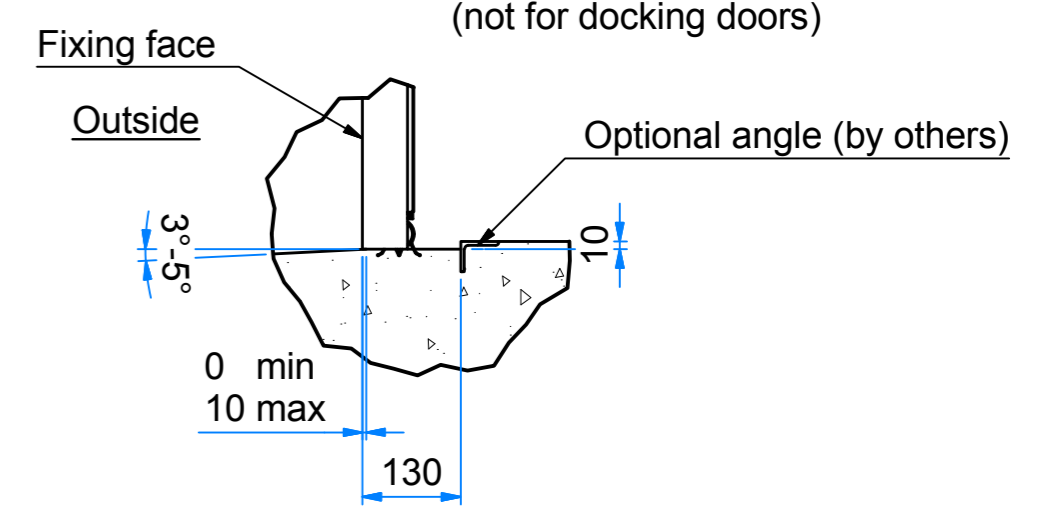
Required headroom  
Normally



NB; Installation areas in to the ceiling is not included in the commitment

DEPTH = DAYLIGHT HEIGHT + 600

Note; We do not recommend a level threshold through the door opening in order to reduce possible water ingress (not for docking doors)



THRESHOLD DETAIL C ( 1 : 10 )

Contact

Pos	Quantity	Day light width	Day light height	Headroom	Depth	Side space left	Side space right	Track angle	Lintel Offset
								(deg)	None <input type="checkbox"/> 40 mm <input type="checkbox"/> 60 mm <input type="checkbox"/>

Quote / Order Number		Project:		Notes:			
Date							
Drawn by							
Rev.	No.	AN No.	Revision	Date	Drawn	Appr.	

Drawn TV	Appr. PD	Dimensions without specified tolerances refer to: Valid at date of latest rev.	Scale	File	Size A2
<b>ASSA ABLOY</b> ASSA ABLOY Entrance Systems		SLB ARCHITECT/BUILDING		Replaces	
		PREPARATION		Status	AN No.
		(OPERATOR RIGHT)		Date	2016-01-21
				Drawing No.	K067912
				Rev.	