

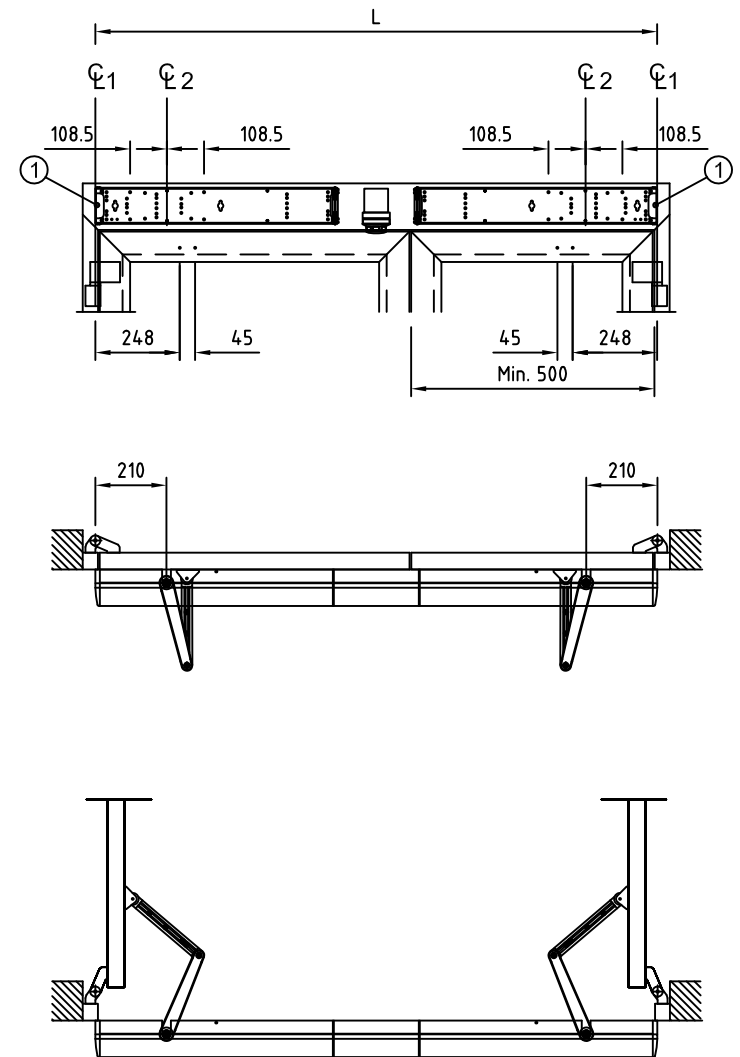
Without smoke detector
 With smoke detector

	L Min.	L Max.
Without smoke detector	1560	3200
With smoke detector	1657	3200

Y=	Shaft extension
48	0
68	20
98	50

- CL1 Hinges
- CL2 Operator drive shaft
- A Reveal max. 130mm
- 1 Cable inlet
- 2 Reinforcements required in door leaf and at fixing holes

Note! State L when ordering



Scale: 1:4

Customer:

Ref:

Door id:

Date:

Project No:

Sign:

PowerSwing - 2 for fire rated doors
Arm system PUSH
Modular cover
Swing door operator



4

173820