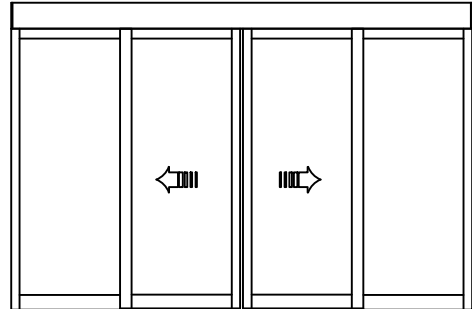
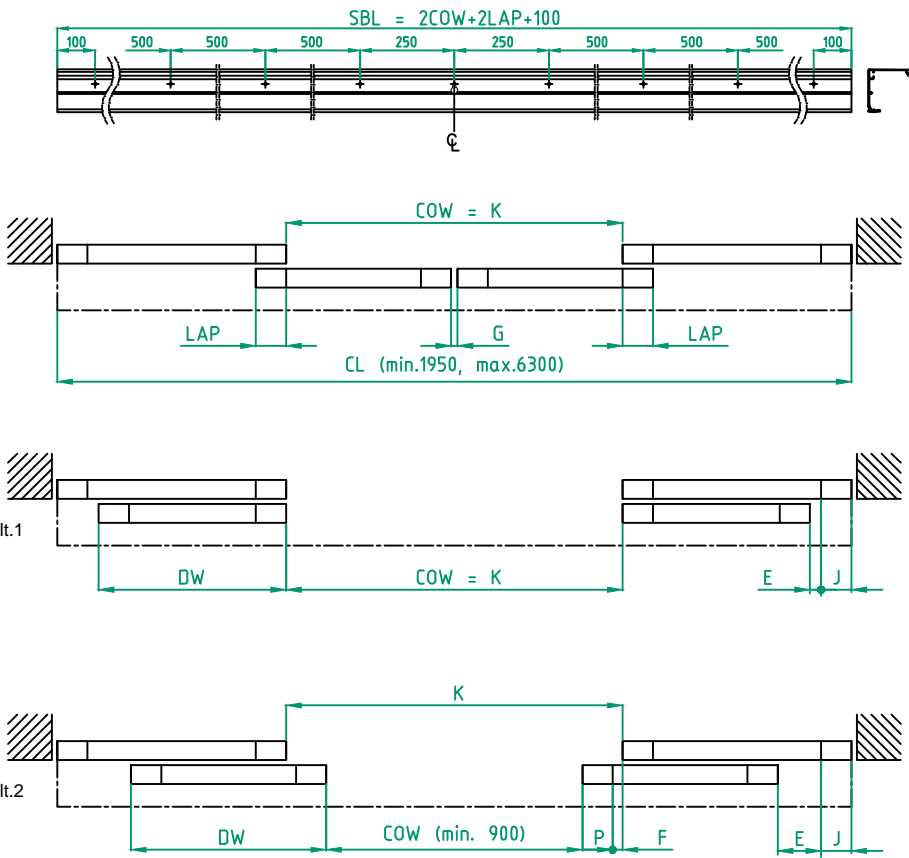
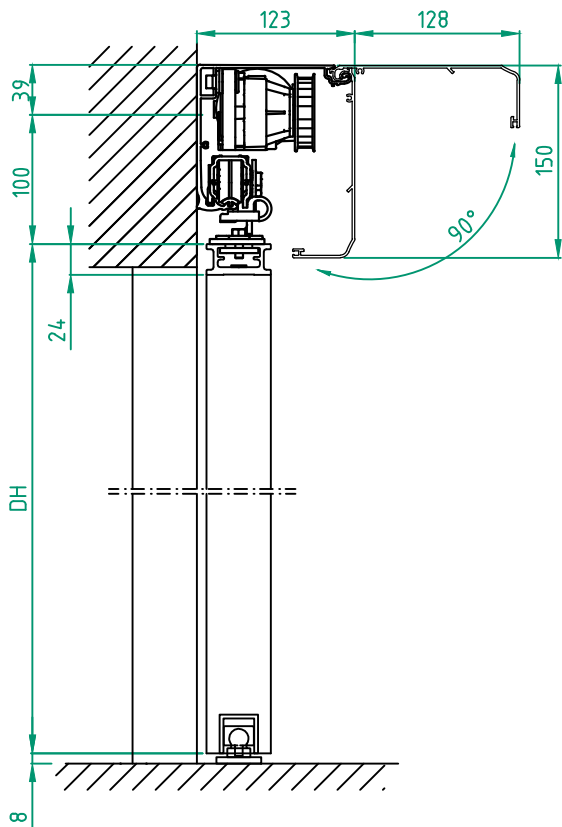


© All rights in and to this material are the sole property of ASSA ABLOY Entrance Systems AB. Copying, scanning, alterations or modifications are expressly forbidden without the prior written consent of the applicable company within ASSA ABLOY Entrance Systems AB. Rights reserved for changes without prior notice.



STATE WHEN ORDERING

- COW = mm
- CL = mm
- SBL = mm
- LAP = mm
- G = mm
- DW = mm
- Door weight = kg

- Surface treatment
- Silver anodized
 - Special anodized
 - RAL
 - Special powder coating

	Alt.1	Alt.2	
Overlap (min. 20mm)	LAP	LAP x2 =
Finger protection (min. 25mm)	E	E x2 =
Finger protection (min. 25mm)	-	F x2 =
Jamb width (min. 30mm)	J	J x2 =
Leading edge width	-	P x2 =
Sum of above			Sum =

Alt.1 COW = K	K =	(K + 2LAP) / 2 = DW	DW =
Alt.2 COW + 2P + 2F = K	K =		DW =
Cover length CL	(CL - Sum) / 2 =		= COW max.
Door travel COW	(COW x2) + Sum =		= CL min.

Customer: _____

Door id: _____

Project No: _____

Ref: _____

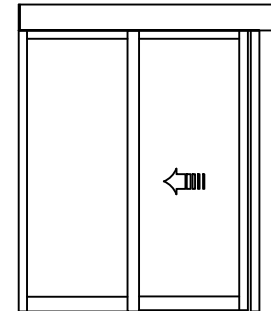
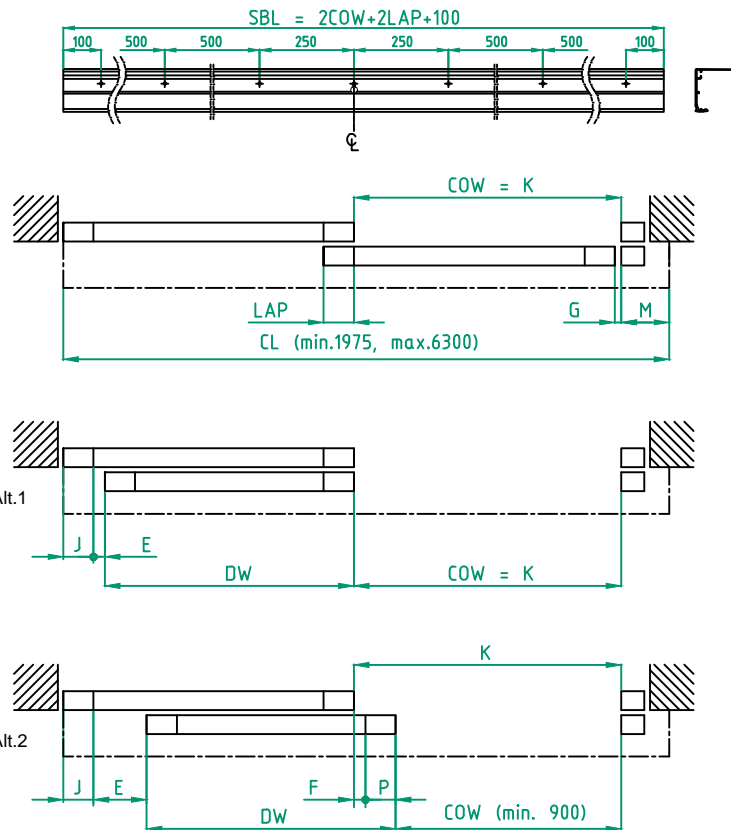
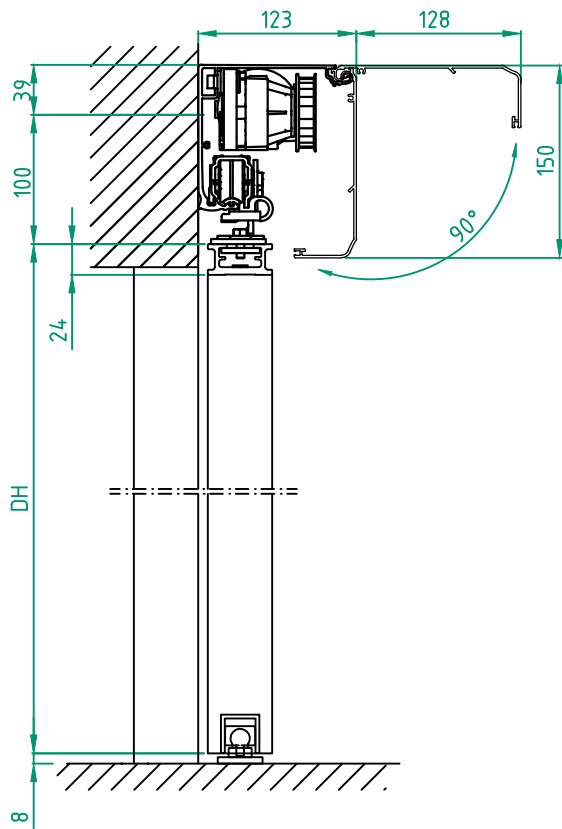
Date: _____

Sign: _____

Sliding door operator
Besam SL500-2
Art. No. 1008568

ASSA ABLOY

3.0 1010709



STATE WHEN ORDERING

- COW = mm
- CL = mm
- SBL = mm
- LAP = mm
- G = mm
- DW = mm
- Door weight= kg

Surface treatment

- Silver anodized
- Special anodized
- RAL
- Special powder coating
-

	Alt.1	Alt.2	
Overlap (min. 20mm)	LAP	LAP
Finger protection (min. 25mm)	E	E
Finger protection (min. 25mm)	-	F
Jamb width (min. 30mm)	J	J
Cover overlap (min. 100mm)	M	M
Leading edge width	-	P
Sum of above	Sum =.....		

Alt.1 COW = K	K=		
Alt.2 COW + P + F = K	K=	K + LAP = DW	DW =
Cover length CL	(CL - Sum) /2 = = COW max.		
Door travel COW	(COW x2) + Sum = = CL min.		

Customer: _____

Door id: _____

Project No: _____

Ref: _____

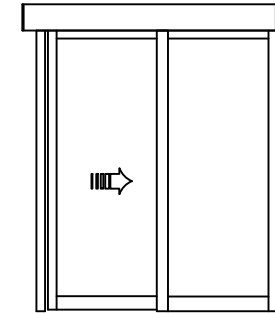
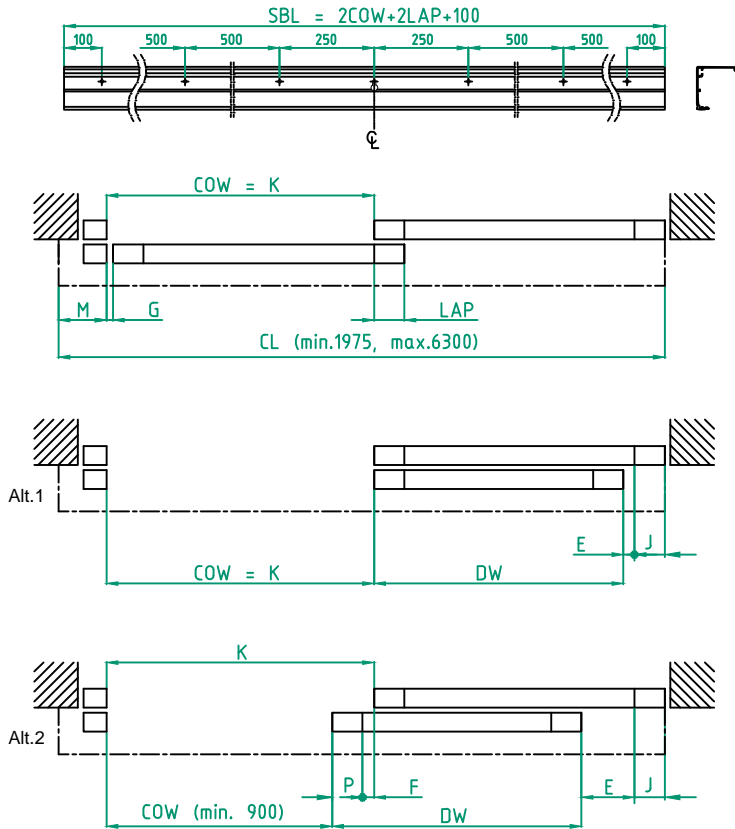
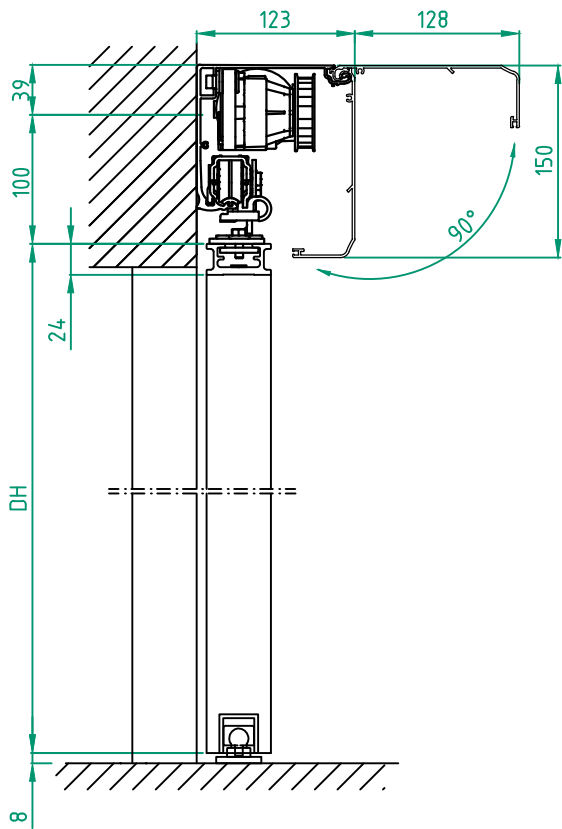
Date: _____

Sign: _____

Sliding door operator
Besam SL500-L
Art. No. 1008568

ASSA ABLOY

3.0 1010709



STATE WHEN ORDERING

- COW = mm
- CL = mm
- SBL = mm
- LAP = mm
- G = mm
- DW = mm
- Door weight= kg

Surface treatment

- Silver anodized
- Special anodized
- RAL
- Special powder coating
-

	Alt.1	Alt.2	
Overlap (min. 20mm)	LAP	LAP
Finger protection (min. 25mm)	E	E
Finger protection (min. 25mm)	-	F
Jamb width (min. 30mm)	J	J
Cover overlap (min. 100mm)	M	M
Leading edge width	-	P
Sum of above	Sum =		

Alt.1 COW = K	K =	K + LAP = DW	DW =
Alt.2 COW + P + F = K	K =		
Cover length CL	(CL - Sum) / 2 = = COW max.		
Door travel COW	(COW x2) + Sum = = CL min.		

Customer: _____

Door id: _____

Project No: _____

Ref: _____

Date: _____

Sign: _____

Sliding door operator
Besam SL500-R
Art. No. 1008568

ASSA ABLOY

3.0 1010709