

Balance Door System Besam SW1000B

ASSA ABLOY

ASSA ABLOY Entrance Systems

The global leader in
door opening solutions



The Besam SW1000B is very effective in windy conditions, combining the benefits of a swing and sliding door system. A perfect solution for narrow passages or in corridors

Perfect for narrow passage ways

The Besam automatic balance door has incorporated the advantages of both conventional swing doors and normal sliding doors. Constraints of safety and reliability with many door installations mean that the balance door will often be the only natural solution. When space for swinging door leaves are limited, the Besam SW1000B is the perfect choice.

Technical specifications

Power supply	100-240 V AC, +10/-15%, 50/60Hz
Power consumption	max. 75 W
Auxiliary voltage	24 V DC, max. 400 mA
Monitored battery backup unit	24 V DC 1200 mA
Ambient temperature	-20°C to +45°C
Relative humidity (non-condensing)	max 85%
Class of protection	IP20 - to be installed internally or externally with suitable weather protection
The Besam SW100 complies with	EN 16005 DIN 18650-1 DIN 18650-2 UL 325

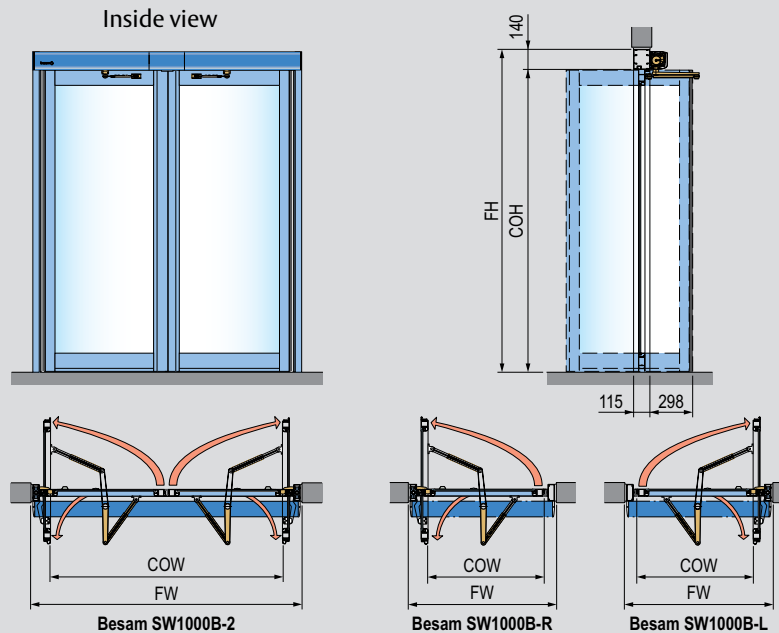
Perfectly balanced

Besam SW1000B is less vulnerable to severe wind loads, cross-draughts as well as pressure differences. The door is always perfectly balanced despite the lateral pressure and this ensures that it is easily opened even during severe conditions.

Built-in safety, reliability and economy

The balance door is completely suspended in the frame without guide grooves in the floor. This is a method which is functional and safe and at the same time economical in both installation and maintenance. Finger guards between the door leaf and the jamb reduce the risk of accidents.

The Besam SW1000B is compliant with international safety standard EN 16005.



Design

The Besam balance door system is always tailor-made to suit differing customer requirements, and has a stable and functional construction. The system is pre-fabricated to ensure that all parts are a perfect fit when installed on the site. The door system is delivered complete with jamb, glazed door(s) and operator(s) with arm system(s) PUSH.

Small but strong

The Besam SW1000B-system will be equipped with the highly reputed Besam SW100 swing door operators. The operators have been designed to cope with tough conditions. Strong gusts of wind or intensive traffic flows pose no problems.

Models

- Besam SW1000B-L** – Left hand door; a complete unit consisting of jamb/header assembly and door leaf
- Besam SW1000B-R** – As Besam SW1000B-L, but right hand door
- Besam SW1000B-2** – Double doors; a complete unit consisting of jamb/header assembly and door leaves

Standard equipment

- Jamb with outer dimensions 45x114mm made from clear anodized aluminium
- Door leaves, with 6 or 8mm laminated glass, made from clear anodized aluminium, thickness 48mm
- Finger protection rubber extrusion
- Besam SW100 Swing Door Operator
- Adjustable brush between door leaf and floor

Sizes

Type	FW min	FW max	FH min	FH max
Besam SW1000B-L	852	1200	2090	2740
Besam SW1000B-R	852	1200	2090	2740
Besam SW1000B-2	1482	2240	2090	2740

Clear opening width (COW) =
FW-200 (Besam SW1000B-L/R) and
FW-250 (Besam SW1000B-2)

All dimensions in millimetres

Accessories and Options

- Other paint finishes optional
- The Besam range of activation units
- Programme selectors
- Insulated glass, thickness 22 mm
- Mechanical hook bolt lock on the door leaf
- Electromechanical lock
- Espagnolette lock
- Flush bolt lock
- Midrail (70 or 150mm)
- Extended top rail 175mm
- Extended bottom rail 201mm
- Outside handles

This equipment should be installed, regularly inspected, maintained and serviced by trained and authorized personnel. Preventive maintenance plans are highly recommended for a proper and safe operation. Talk to your ASSA ABLOY Entrance Systems representative to learn more about our service offering!