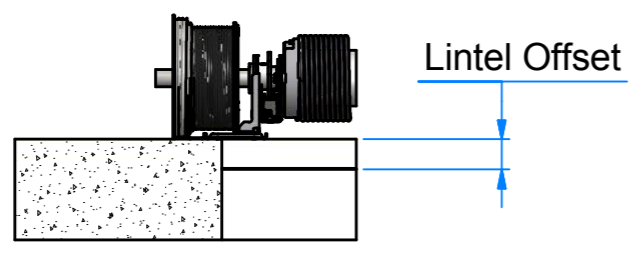
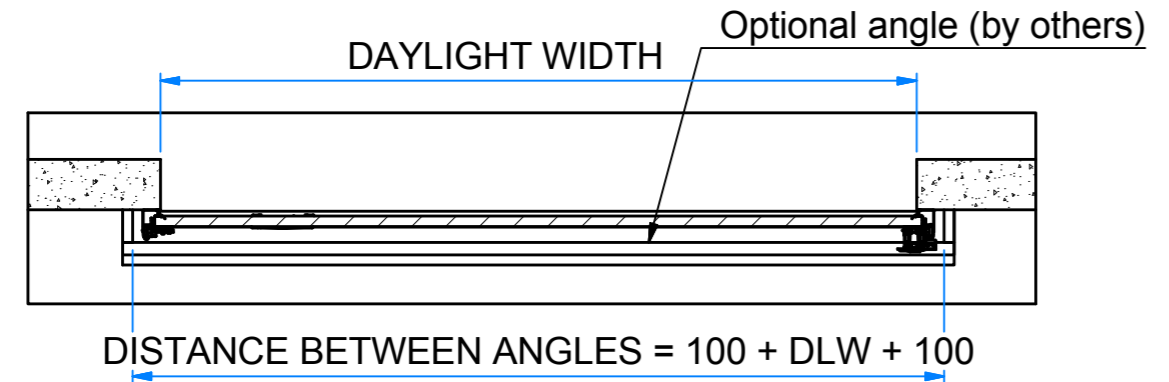


This drawing will remain our property. The drawing must not, without our knowledge, be copied, reproduced, altered, or any other use. If the drawing is shown or any other use, the user will be prosecuted according to existing law.

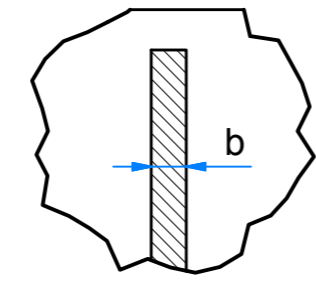


R-R (1 : 15)

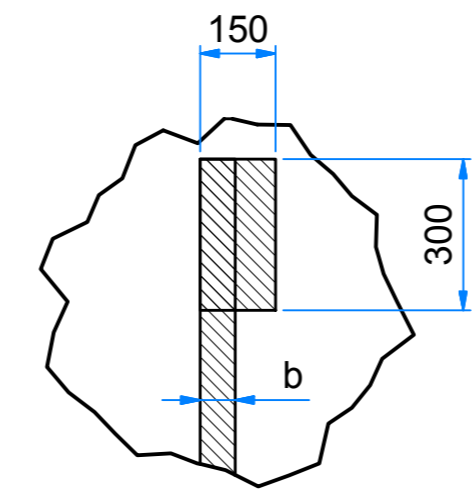


B-B (1 : 30)

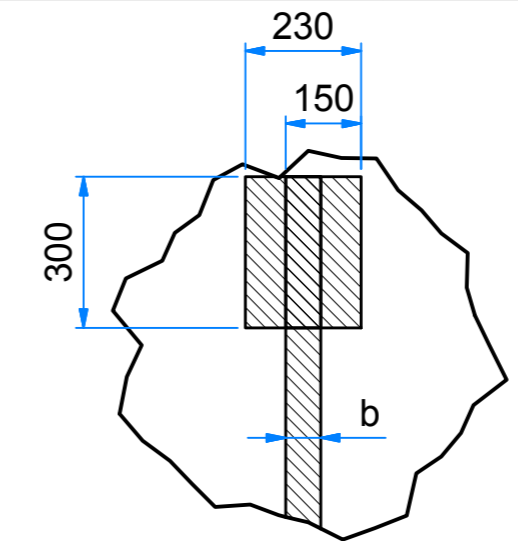
Needed for Center Support
Center support is always required
when daylight width > 3000 mm



Needed > 200 kg
Left and Right



Needed > 200 kg and < 500 kg
Left and Right
(for outer support Bearing)



Needed > 500 kg
Left and Right

D (1 : 15)

Installation frame has to be securely fixed to the building

Installation frame		
Material	Width b (minimum)	
Steel	70 mm t > 2 mm	<input type="checkbox"/>
Wood	70 mm t > 100 mm	<input type="checkbox"/>
Stone/Concrete can also be used to form the opening	t > 100 mm	<input type="checkbox"/>
		t = Material thickness

Free space for the door above the opening, required for the whole marked area above the opening

Free side space

Needed by electrical operator

Required space within the building from the installation frame

*Power supply for operator

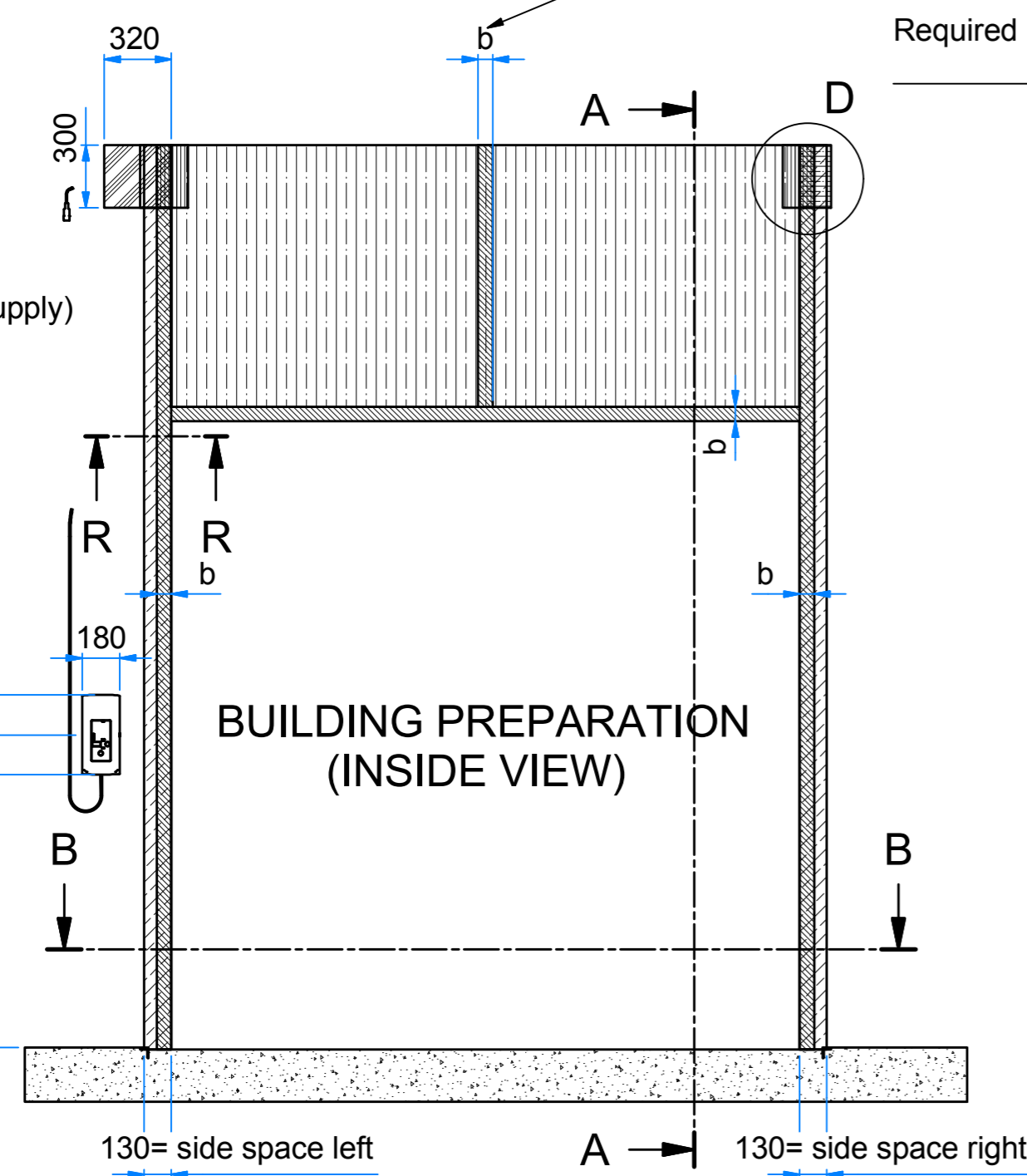
1) Alternative 1 (CDM9)
- Phase, 230V 10 amp (see wall socket)
to be located within 0,5 m from the operator (by others)

2) Alternative 2 (CDM9)
- Phase, 230 V 10amp (max) isolator (by others)
adjacent to the control unit

3) Alternative 3
- 3-phase, 400 V 10 amp (max) with neutral isolator
(by others) adjacent to the control panel

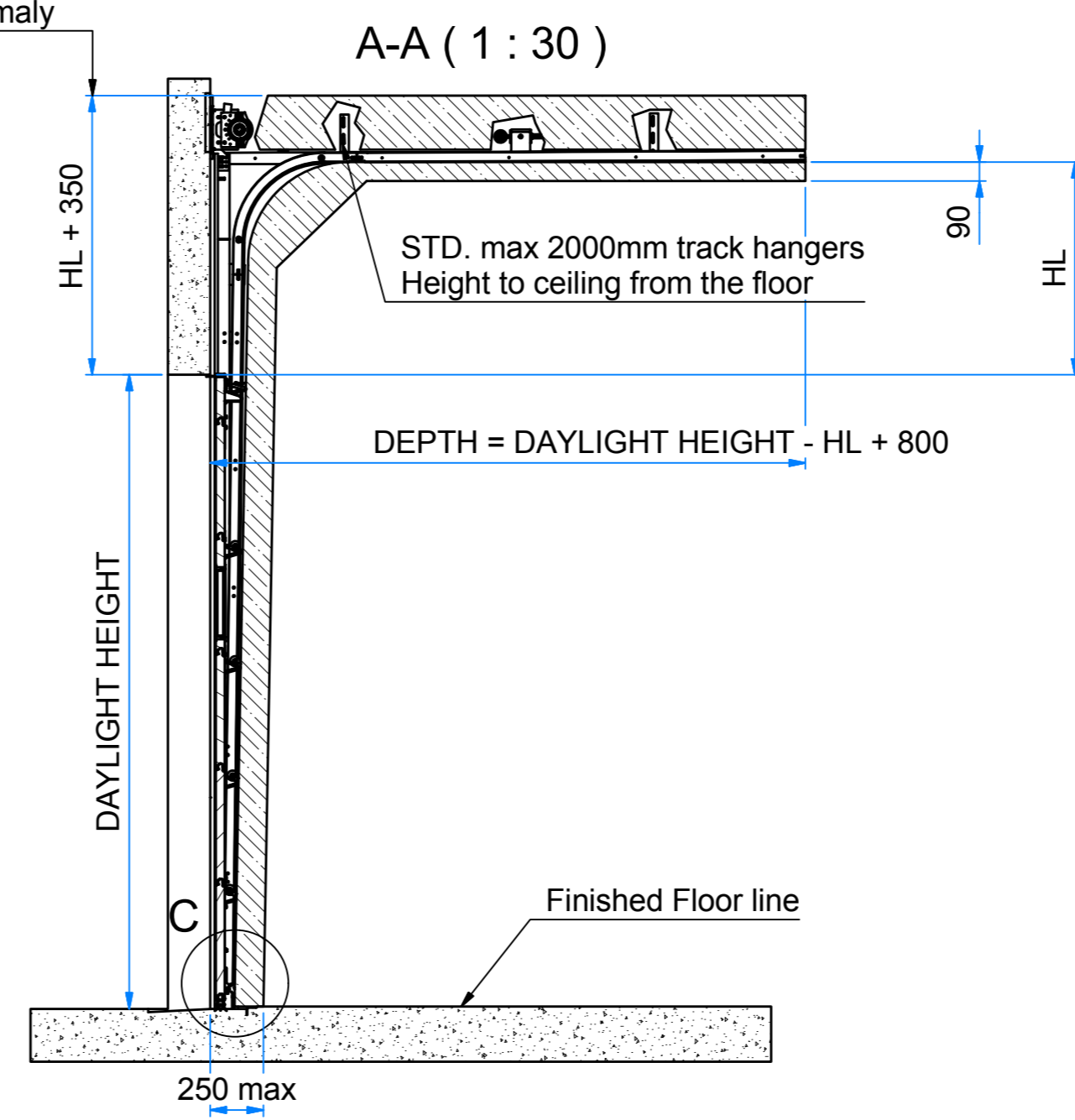
Note: We do not recommend a level threshold through the door opening in order to reduce possible water ingress (not for docking doors)

- *1 (Power supply)
- *2
- *3



BUILDING PREPARATION
(INSIDE VIEW)

Required headroom
Normally

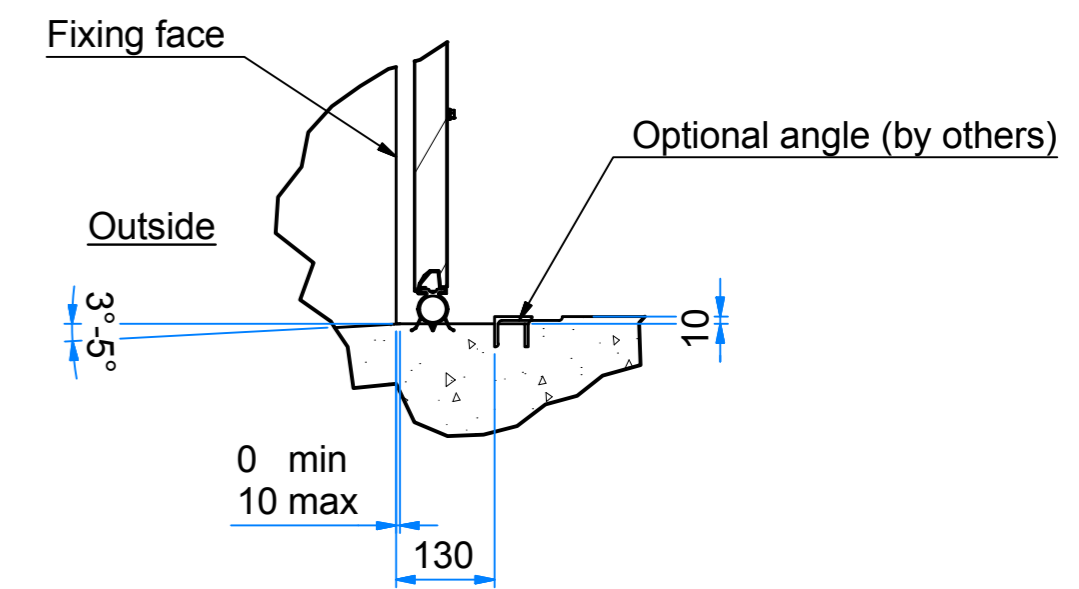


A-A (1 : 30)

STD. max 2000mm track hangers
Height to ceiling from the floor

DEPTH = DAYLIGHT HEIGHT - HL + 800

Finished Floor line



THRESHOLD DETAIL C (1 : 10)

Contact									
Pos	Quantity	Day light width	Day light height	Headroom	Depth	Side space left	Side space right	Track angle	Lintel Offset
								°(deg)	None <input type="checkbox"/> 40 mm <input type="checkbox"/> 60 mm <input type="checkbox"/>
Quote / Order Number		Project:			Notes:				
Date									
Drawn by									
Rev.	No.	AN No.	Revision	Date	Drawn	Appr.			
Drawn	TV	Appr.	PD	Dimensions without specified tolerances refer to: Valid at date of latest rev.			Scale	File	Size
ASSA ABLOY ASSA ABLOY Entrance Systems		SHB ARCHITECT/BUILDING			Replaces		Status	AN No.	Date
		PREPARATION					9561	2016-01-21	
		OPERATOR LEFT			Drawing No.		K067904		Rev.